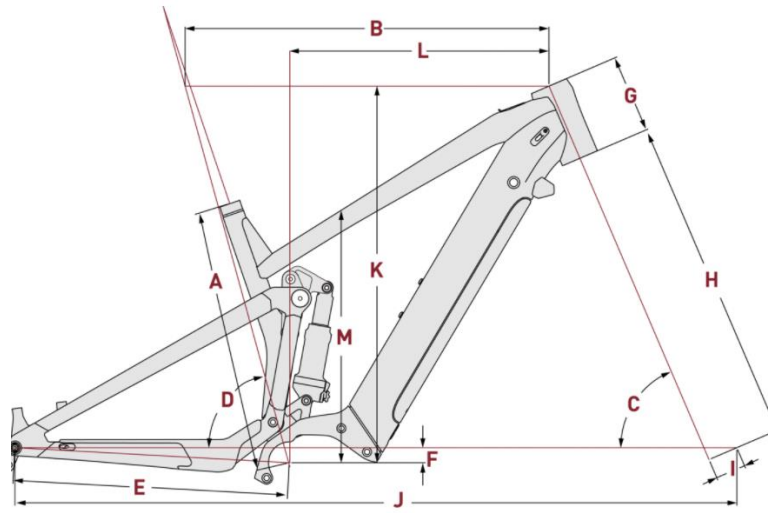


THRON² 6.7



GEOMETRY

	S	M	L	XL
SIZE	40	44	47	50
SIZE (MM)	400	440	470	485
HANDLEBAR WIDTH	760	760	760	760
STEM LENGTH (MM)	60	60	60	60
CRANKARM LENGTH	165	165	165	165
A SEAT TUBE LENGTH (MM)	125	150	170	170
B EFFECTIVE TOP TUBE (MM)	584	603	627	651
C HEAD TUBE ANGLE (°)	66.8	66.8	66.8	66.8
D EFFECTIVE SEAT TUBE ANGLE (°)	74.5	74.5	74.5	74.5
E CHAINSTAY LENGTH (MM)	455	455	455	455
F BOTTOM BRACKET DROP (MM)	25	25	25	25
G HEAD TUBE LENGTH (MM)	115	130	147	163
H FORK CONSTRUCTION HEIGHT (MM)	540	540	540	540
I PRE-RAKED FORK (MM)	51	51	51	51
J WHEELBASE LENGTH (MM)	1175.4	1196.3	1223	1249.3
K STACK (MM)	609.7	623.5	639.1	653.8
L REACH (MM)	415	430	450	470